



# SD16 Bulldozer

**Engine model:** Shangchai C6121/Steyr WD615T1-3A

**Rated power:** 120 kw (160 HP)

**Operating weight:** 17 t



# SHANTUI

# SHANTUI SD16

## SPECIFICATION

Specification \ Blade type	Straight-tilt	Angle	U-Blade
Min.ground clearance(mm)	400	400	400
Ground pressure(MPa)	0.067	0.067	0.067
Min.turning radius(m)	4.7	4.5	4.9
Gradeability(°)	30	30	30
Track gauge(mm)	1880	1880	1880

## ENGINE

Model ..... Shangchai C621/STEYR WD615TI-3A  
 Water cooled,in-line,4-stroke injection direct  
 Rated horsepower ..... 120Kw  
 Cylinder number-bore X stroke ..... 6-126mm X 130mm  
 Piston displacement ..... 9.726L  
 Min.fuel consumption ..... 214g/Kw.h  
 Max.torque ..... 764N.M

## POWER TRANSMITTING SYSTEM

Torque Converter ..... 3-element,1 stage,1phase  
 Transmission ..... Planetary gear type,power-shift,forced lubrication  
 Main Drive ..... Spiral bevel gear,single-stage speed reduction  
 dplsdh luntivsyion.  
 Steering Clutch ..... Wet,multi-disc,spring loaded,  
 hand hydraulically separated, inter-linking with steering brake.  
 Steering Brake ..... Wet,floating band structure,  
 foot brake with hydraulic booster  
 Final drive ..... Tow-stage speed reduction of spur gear,  
 splash lubrication

## TRAVEL SPEED

Gear	1st	2nd	3rd
Forward(km)	0-3.29	0-5.28	0-9.63
Reverse(km)	0-4.28	0-7.59	0-12.53

## UNDERCARRIAGE SYSTEM

Type ..... Sprayed beam,  
 suspended structure of equalizer  
 Carrier rollers(each side) ..... 2  
 Track rollers(each side) ..... 6  
 Track type ..... Assembled,single-tooth  
 Width of track shoes ..... 510mm  
 Pitch ..... 203.2mm

## HYDRAULIC SYSTEM

Max.pressure ..... 14MPa  
 Pump type ..... Gear pump  
 Discharge ..... 243L/min  
 Bore of working cylinder X number ..... 110mm X 2

## BLADE

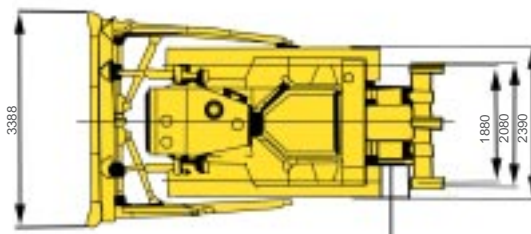
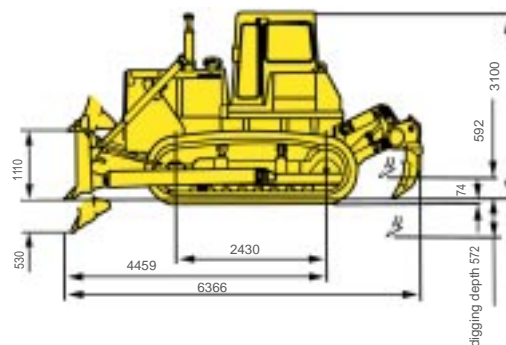
Specification \ Blade type	Straight-tilt	Angle	U-Blade
Dozing capacity(m³)	4.5	4.4	5.0
Efficiency(m³/H)(Theoretical value 40m)	225	225	250
Blade width(mm)	3388	3970	3556
Blade height(mm)	1149	1090	1120
Max.drop below ground (mm)	540	540	530
Max.tilt adjustment(mm)	400	-	400

## RIPPER

Max.digging depth of 3-Shank Ripper ..... 572mm  
 Max.lift above ground ..... 592mm  
 Weight of 3-Shank Ripper ..... 1710kg

## OVERALL DIMENSIONS

Straight-tilt blade



Note:Materials and specifications are subject to change without notice.

## SHANDONG SHANTUI CONSTRUCTION MACHINERY IMP&EXP CO.,LTD.

Add:No.71 East Wutaizha Road,Jining,Shandong,China

Tel:+86-537-2909367 2909368 2909369 2909370

Fax:+86-537-2311219

E-mail:info@shantuichina.com

Website: www.shantuichina.com