

# SD10YE

## HYDRAULIC BULLDOZER

- Engine model: Cummins QSB4.5
- Rated power: 100HP (74KW)
- Operating weight: 9100Kg



# SHANTUI

(Model shown) May Include optional equipments

# SD10YE



## MAIN CHARACTERISTICS

- ◆ Be equipped with Cummins QSB4.5 electronic-control engine, which meet the requirement of emission standard Tier 3/stage IIIA
- ◆ Be equipped with double-pump / double motor variable closed travelling hydraulic system with the function of infinitely variable speed and turning around.
- ◆ Advanced world-famous brand electric hydraulic element
- ◆ Hydraulic fan system under the control of water and oil temperature
- ◆ Travelling control under hand instruction.
- ◆ Working device under the control of PPC pilot valve
- ◆ Trouble auto-alarming and auto-diagnosing.
- ◆ GPS intellective service system
- ◆ ROPS/FOPS fully enclosed hexahedron cabin with little noise and vibration
- ◆ Big capacity Split air conditioner (cool/warm function) can defrost and change new air.
- ◆ High-strength integral main frame.
- ◆ Multi-function working device-six direction blade



## SPECIFICATION

Blade	Six direction blade
Min. ground clearance(mm)	384
Operating weight(kg)	9100
Ground pressure(Mpa)	0.04
Min. ground clearance	2980
Gradeability(°)	30
Track gauge(mm)	1650
Dozing capacity(m <sup>3</sup> )	2.2
Blade width(mm)	2740
Blade height(mm)	990
Max.drop below ground (mm)	440
Max lifting height (mm)	890
Max.tilt adjustment(mm)	395
Max. turning angle(°)	25



## ENGINE

Model..... Cummins QSB4.5  
 Type..... in-line, water cooled, 4-cycle,turbocharged, direct injection  
 Rated revolution(rpm)..... 2200  
 Rated power(kW)..... 74  
 Cylinder number- bore x stroke(mm)..... 4-107X124  
 Displacement(L)..... 4.5  
 Min. fuel consumption(g/KW.h)..... 213  
 Max. torque(N.M/rpm)..... 400/1500



## TRAVEL SPEED

Gear	1st	2nd	3rd
Forward(km/h)	0~3.4	0~5.6	0~8.5
Reverse(km/h)	0~3.4	0~5.6	0~8.5



## SYSTEM

### TRAVELLING

Type..... Rigid suspended structure  
 Carrier roller(each side)..... 1  
 Track roller(each side)..... 6  
 Width of track shoes(mm)..... 460  
 Pitch(mm)..... 171.45

### TRAVELLING HYDRAULIC

Variable piston pump..... 2  
 Wheel motor reductor..... 2  
 System pressure(Mpa)..... 42  
 Brake pressure(Mpa)..... 3.9

### WORKING DEICE HYDRAULIC

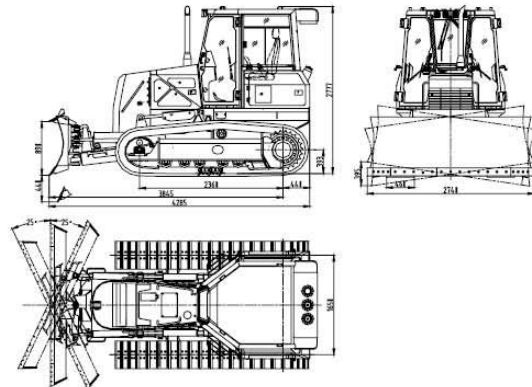
Working system pressure(Mpa)..... 21  
 PPC Pilot valve pressure(Mpa)..... 3.9

### TEMPERATURE-CONTROL FAN HYDRAULIC

System pressure(Mpa)..... 20  
 System discharge(L/min)..... 32



## OVERALL DIMENSIONS



Note: Materials and specifications are subject to change without notice.

# SHANTUI

SHANDONG SHANTUI CONSTRUCTION MACHINERY IMPORT&EXPORT CO.,LTD.

Add.No.71 East Wutaizha Road,Jining,Shandong,China / Tel:+86-537-2909367 2909368 2909369 2909370  
 Fax:+86-537-2311219 / E-mail:info@shantuichina.com / Website: www.shantuichina.com